

CITY OF BAINBRIDGE ISLAND
280 Madison Avenue N
Bainbridge Island, WA
206-842-2016

**PUBLIC WORKS
ENGINEERING
DEPARTMENT**

PROJECT INFORMATION

SOUND TO OLYMPIC TRAIL
SR 305 CORRIDOR
ENHANCEMENTS
PHASE 2 & PHASE 4

REVISION BLOCK

1	12/11/15	MMZ	UPDATED WALL DESIGN
---	----------	-----	---------------------

NO.	DATE	BY	REVISION
-----	------	----	----------

SEC. 26, T. 25N., R. 2E., W.M.,
CITY OF BAINBRIDGE ISLAND, KITSAP COUNTY, WA.

Scale:
Horiz:
Vert:
Coordinate System:
Vertical Datum:
Designed By:
M. ZAWLOCKI
Drawn By:
M. ZAWLOCKI
Inspected By:
W.O. No.:
Issue Date:

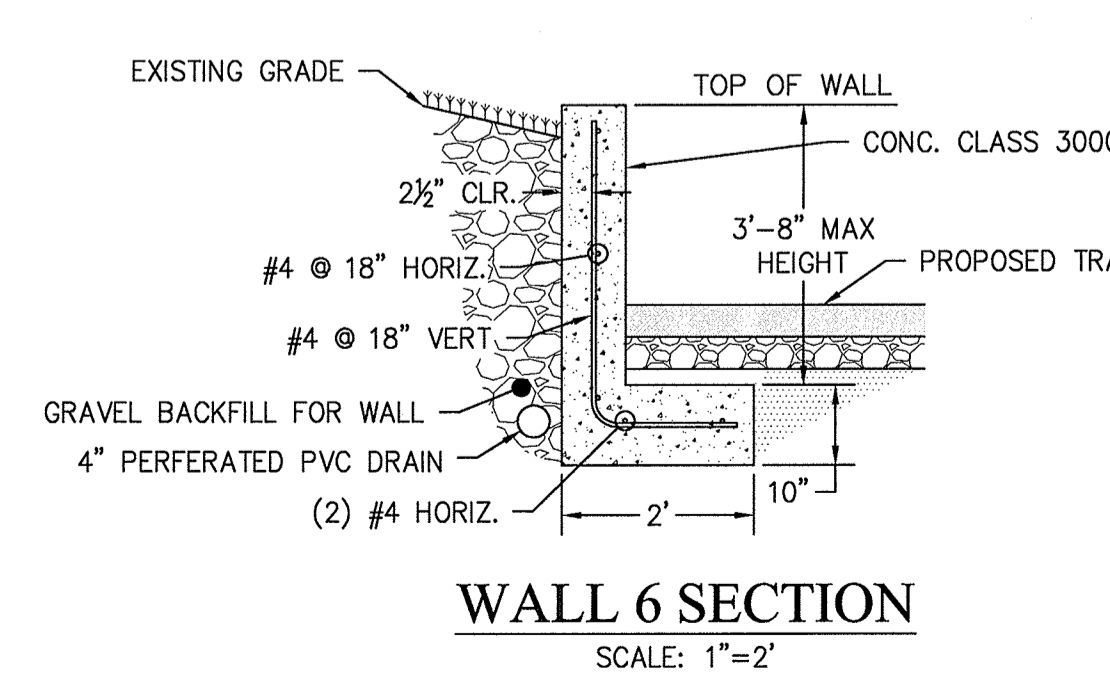
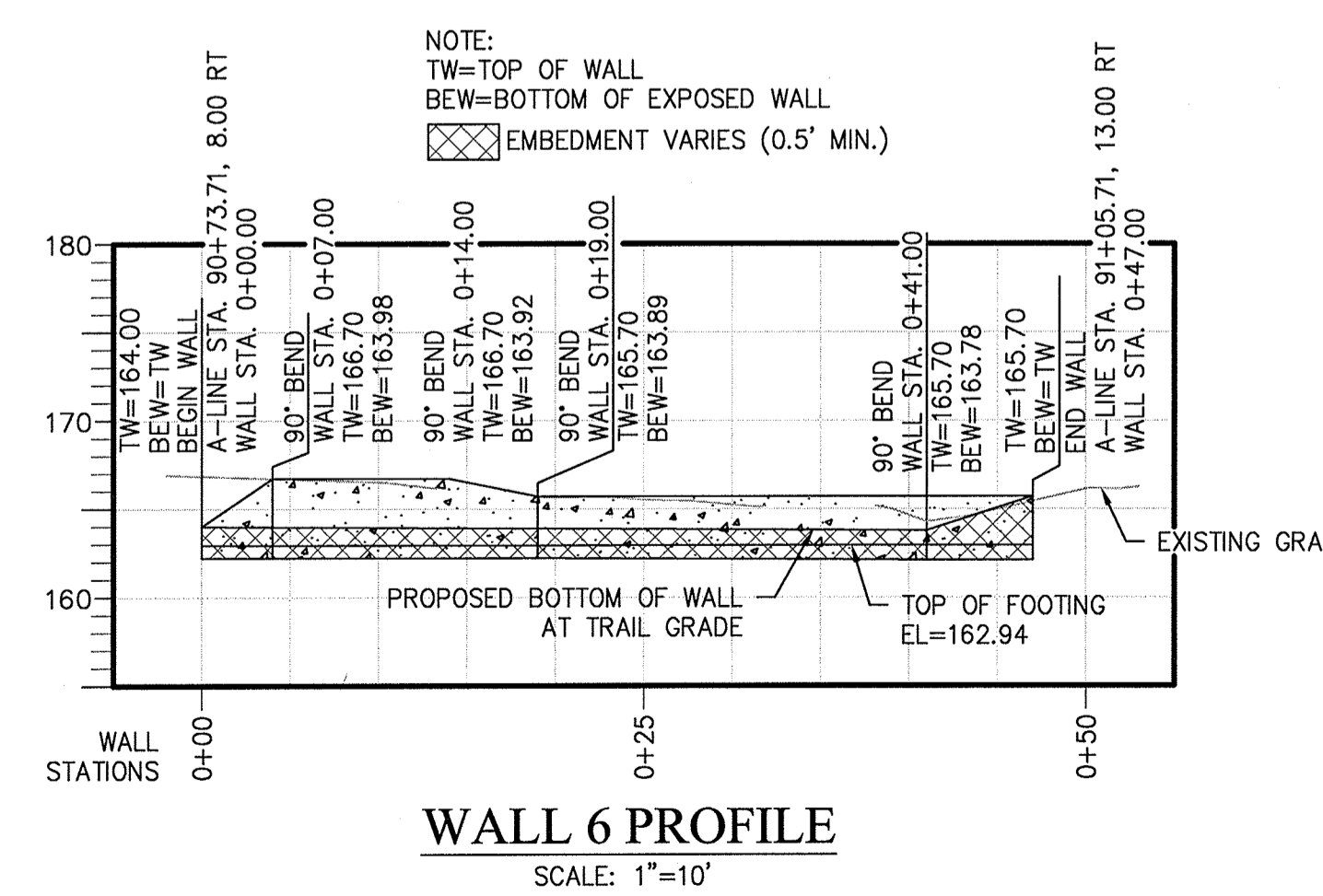
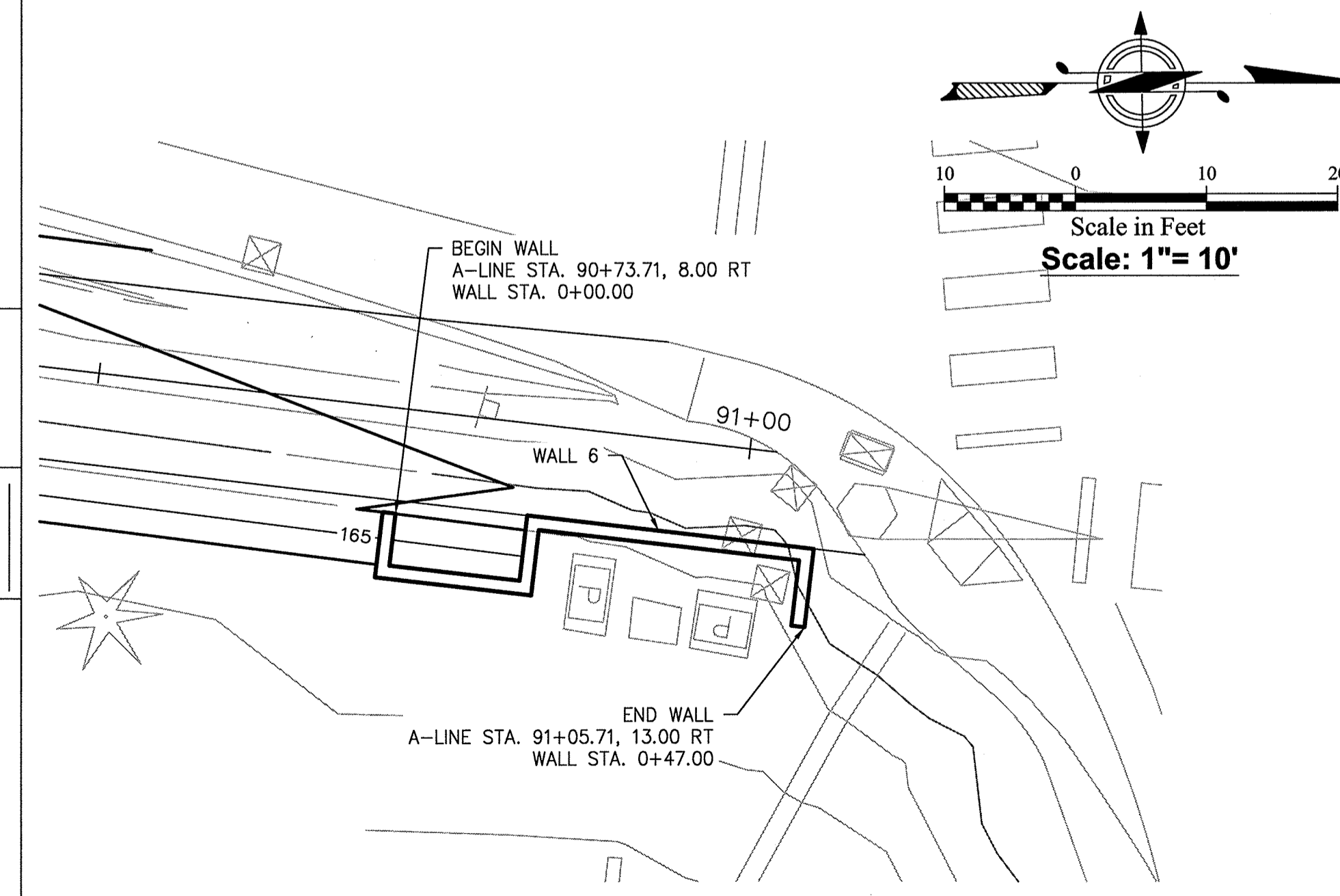
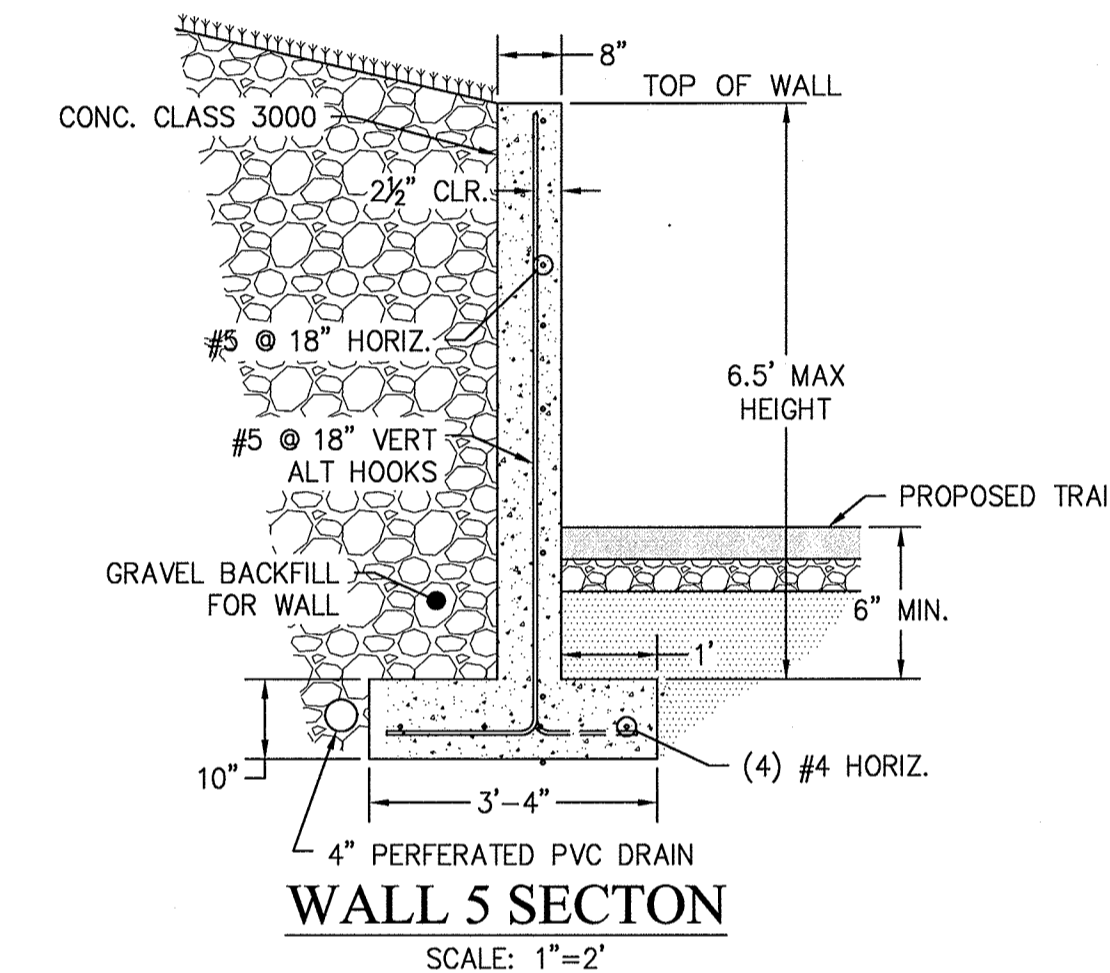
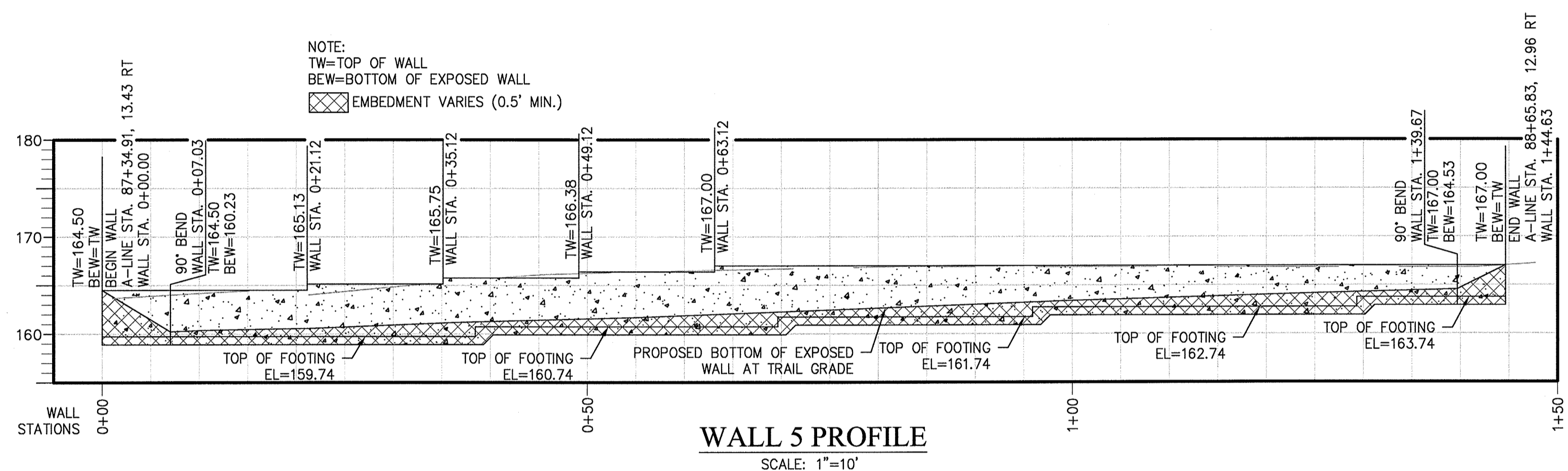
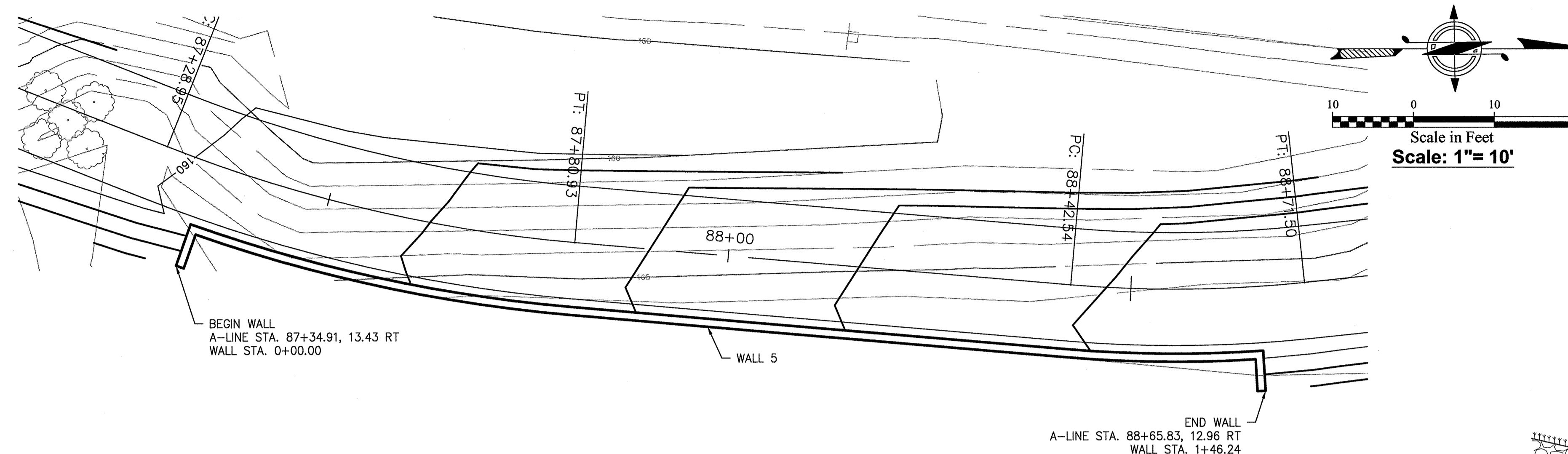
WALL 5 & 6
PLAN, PROFILE & SECTION



N.L. Olson & Associates, Inc.
Engineering, Planning and Surveying
(360) 895-2350 or (360) 876-2284
2453 Bethel Avenue, P.O. Box 637, Port Orchard, WA 98366

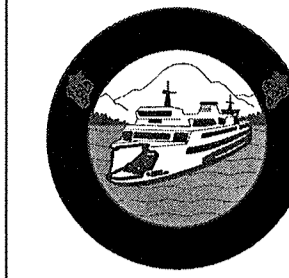
Drawing No. **S2.3**

Sheet No. 50 of 60



Path: \SERVER\AutoCAD Projects\817 WALLS\2017 WALL PLANS & PROFILES & ELEVATED TRAIL.dwg
Plot Date: 10/12/2016 3:03 PM
Cad User: Jeff Thompson

Recorded Survey: Kitsap County Auditor
Control Monument: AF-
Field Bk/Pg: Vol/Bk Page
Surveyed By: Date:
Drawn By: Checked By:
XREF Filename:
Constructed By: Date:



CITY OF BAINBRIDGE ISLAND
 280 Madison Avenue N
 Bainbridge Island, WA
 206-842-2016

**PUBLIC WORKS
 ENGINEERING
 DEPARTMENT**

PROJECT INFORMATION

**SOUND TO OLYMPIC TRAIL
 SR 305 CORRIDOR
 ENHANCEMENTS
 PHASE 2 & PHASE 4**

REVISION BLOCK

NO.	DATE	BY	REVISION
1	12/11/15	MMZ	UPDATED WALL DESIGN

SEC. 26, T. 25N., R. 2E., W.M.,
 CITY OF BAINBRIDGE ISLAND, KITSAP COUNTY, WA.

Scale:
 Horiz:
 Vert:
 Coordinate System:
 Vertical Datum:
 Designed By:
 M. ZAWLOCKI
 Drawn By:
 M. ZAWLOCKI
 Inspected By:
 W.O. No.:
 Issue Date:

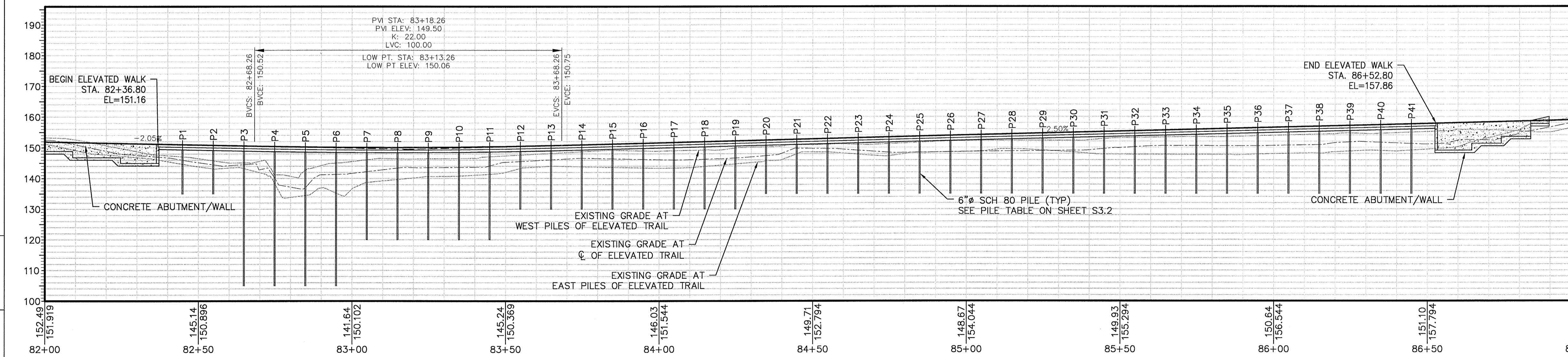
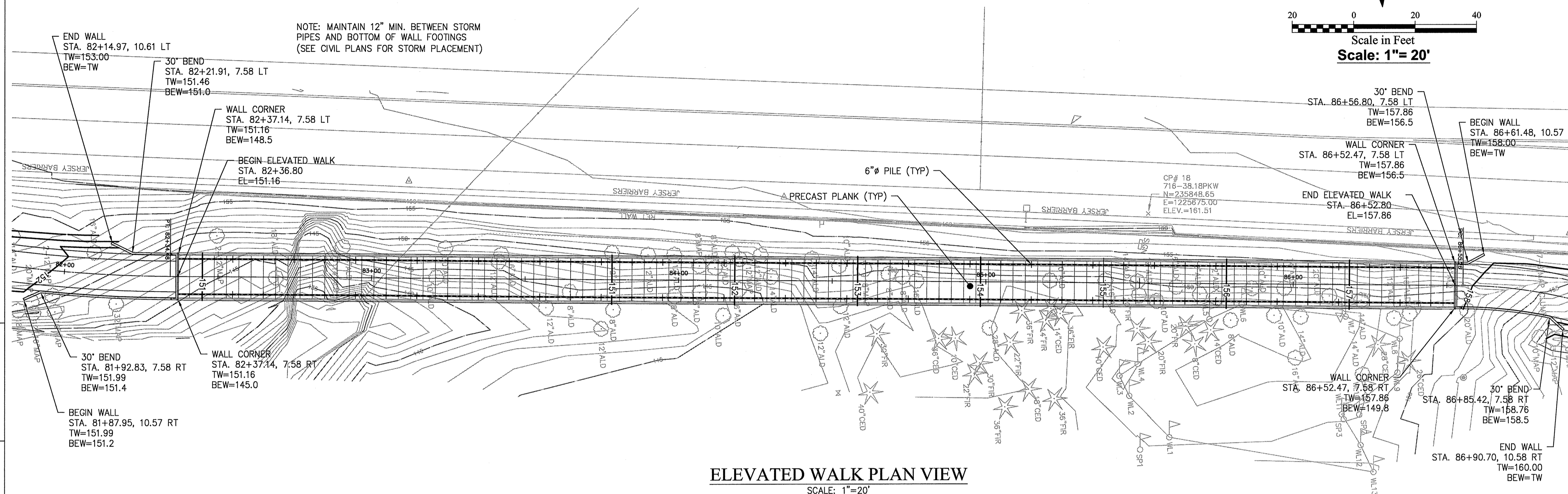
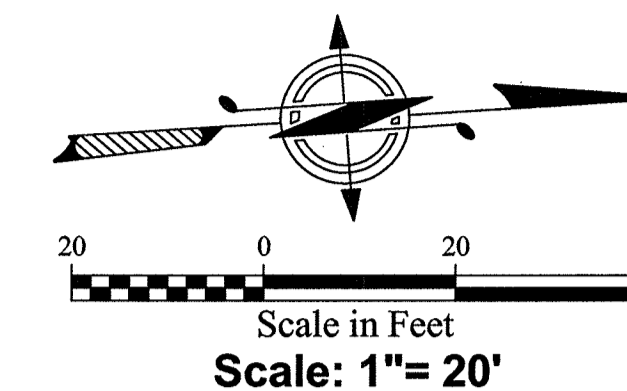
ELEVATED TRAIL PLANS



N.L. Olson & Associates, Inc.
 Engineering, Planning and Surveying
 (360) 895-2350 or (360) 876-2284
 2453 Bethel Avenue, P.O. Box 637, Port Orchard, WA 98366

Drawing No. **S3.1**

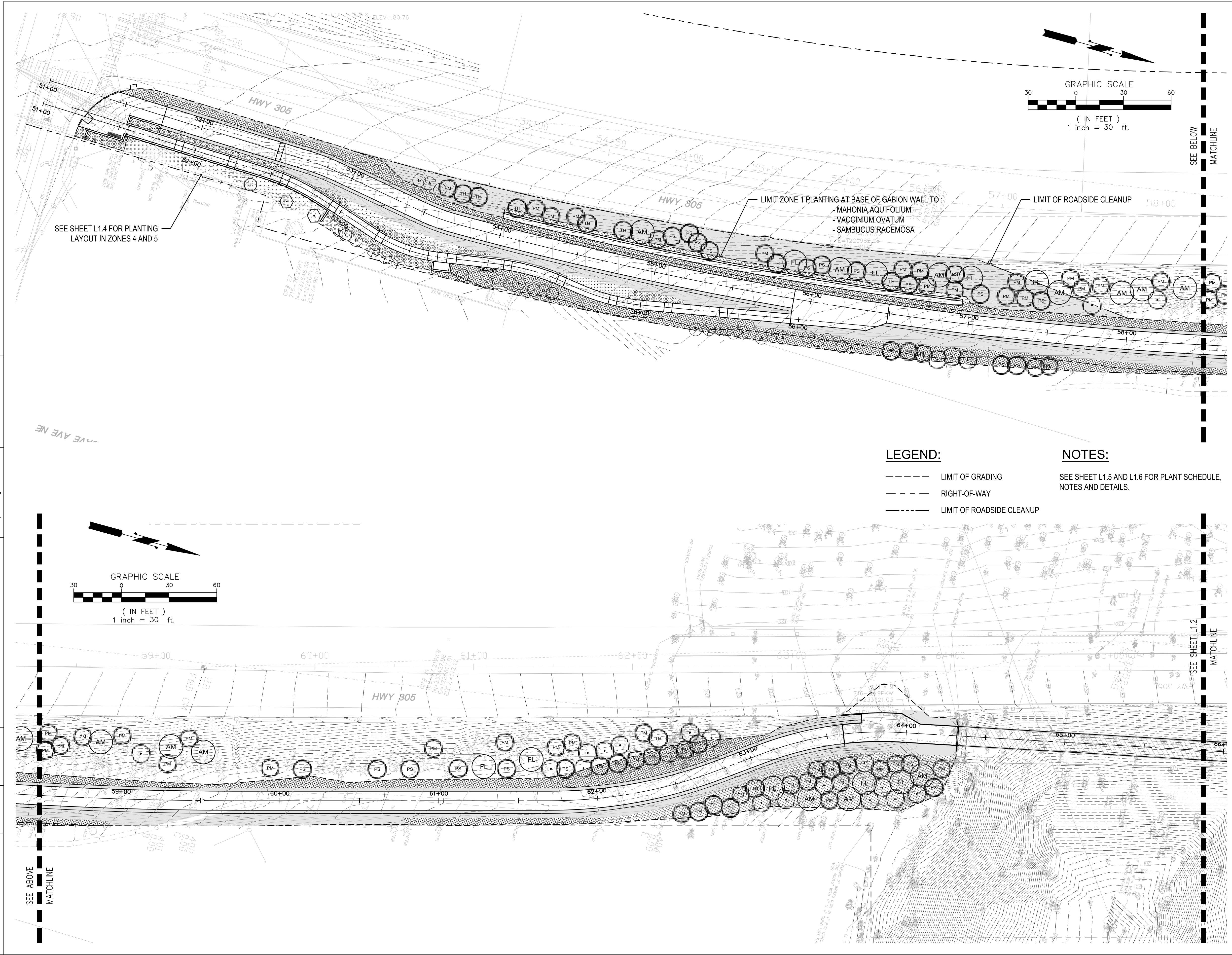
Sheet No. 51 of 60



Path: I:\SERVER\AutoCAD Projects\8817 WALLS\2017 WALL PLANS & PROFILES & ELEVATED TRAIL.dwg
 Plot Date: 10/12/2016 3:09 PM
 Cad User: Jeff Thompson
 Section:
 Drawn By:
 Checked By:
 XREF Filename:
 Surveyed By:
 Date:
 Control Monument:
 Field Bk/Pg:
 Recorded Survey:
 Kitsap County Auditor
 AF-
 Vol/Bk Page

Path: Z:\Projects\Sound to Olympics Trail Bainbridge\CAD Documents\Working\STO-PLANTING.dwg
 Plot Date: 10/19/2016 8:43 AM
 File Name: XREF Filename:

Drawn By: _____
 Checked By: _____
 Section: _____
 Surveyed By: _____
 Date: _____
 Control Monument: _____
 Field Bk./Pg: _____
 Recorded Survey: _____
 Kitsep County Auditor
 Vol./Bk./Page: _____
 Constructed By: _____
 Date: _____



**PUBLIC WORKS
 ENGINEERING
 DEPARTMENT**

PROJECT INFORMATION

SOUND TO OLYMPIC TRAIL
 SR 305 CORRIDOR
 ENHANCEMENTS
 PHASE 2 & PHASE 4

REVISION BLOCK

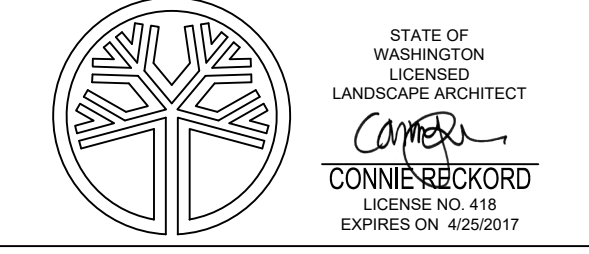
NO.	DATE	BY	REVISION

SEC. 26 , T. 25 N., R. 2 E., W.M.,
 CITY OF BAINBRIDGE ISLAND, KITSAP COUNTY, WA.

Scale:
 Horiz:
 Vert:
 Coordinate System:
 Vertical Datum:
 Designed By:
 C RECKORD
 Drawn By:
 T VASHCHENKO
 Inspected By:
 W.O. No.:
 Issue Date:

PLANTING PLAN

**MacLeod
 Reckord** PLLC
 110 Prefontaine Place South, Suite 600
 Seattle, Washington 98104
 P 206-323-7919
 F 206-323-9242



Drawing No. **L1.1**

